

KL 300 LED Light Source

for stereo microscopy



The KL 300 LED is a compact LED light source for fiber optics, offering simple operation combined with excellent value for money. These qualities make it ideally suited to routine inspections and education.

Features:

- Compact design
- Directly mountable to stand or column
- Wide range power supply with international clip plug system

Advantages:

- Maximum light intensity of 80 lm
- Continuous dimming from 0 to 100 %
- Optimized energy consumption (5W)
- Maintenance-free LED engine with 50.000 operating hours
- Fan-less convection cooling enables silent operations

Technical Specifications:

General		
Part No.		120.300
Dimensions (W x D x H)	(mm) / (inch)	107 x 114 x 61 / 4.2" x 4.5" x 2.4"
Weight	(kg)	Approx. 0.35
Cooling		Convection
Electrical		
Operating voltage, frequency		100 – 240 V ~, 50 – 60 Hz
Input voltage	(V)	9
Power consumption	(VA)	max. 5
Protection class power supply		II
Protection class light source		III
Overvoltage category		II
Lamp type		1 High power LED white
Lamp lifetime	(h)	50,000 ¹
Light Output		
Luminous flux	(lm)	80 ²
Color temperature	(K)	Approx. 5,600
Active light guide diameter	(mm) / (inch)	Max. 6/max. 0.23"
Certificates		
Conformity		CE UK CA
EMC-class		B

¹ max. decline of light output to 70% of origin level

² at the output of SCHOTT fiber optic light guide, 1-arm, flexible, Ø 4.5 mm active, length 600 mm

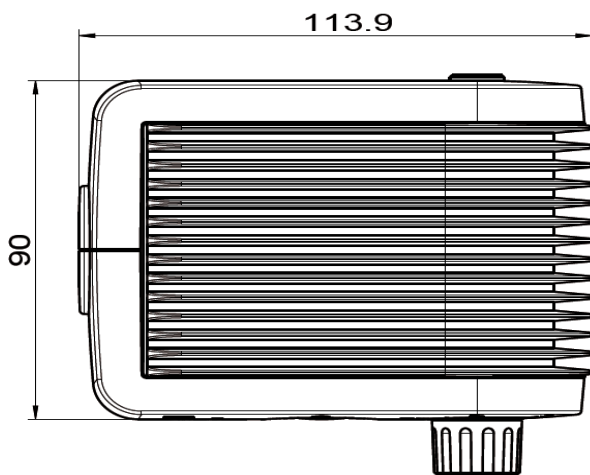
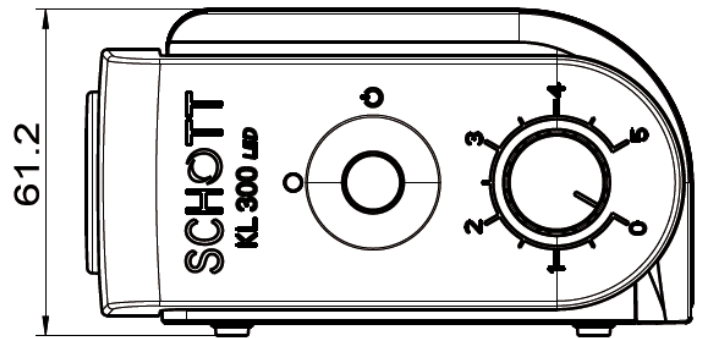
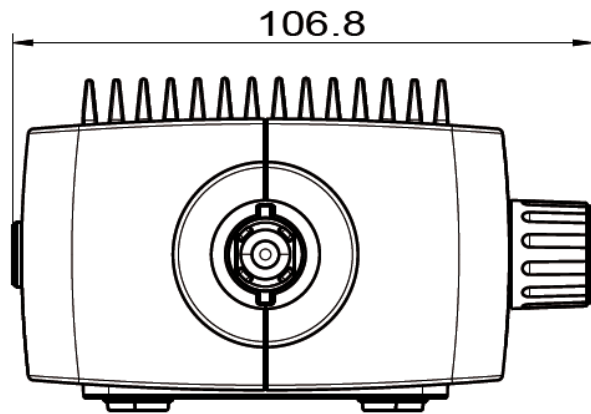
We provide a variety of accessories for our KL Series. For details please refer to our system diagrams or according datasheets.

Accessories:

	Part No.
Base	158.340
Mounting bracket (Base also needed)	120.250
Bracket for column Ø 20 mm (0.78")	120.220
Bracket for column Ø 25 mm (0.98")	120.225
Bracket for column Ø 29 mm (1.14")	120.229
Bracket for column Ø 32 mm (1.26")	120.232
Bracket for column Ø 35 mm (1.38")	120.235
Bracket for ZEISS stand K, Stand M	120.240



Dimensions



Pictures are provided for illustration purposes only, and may not provide an accurate reflection of the actual product.

All specifications are subject to change without prior notice. This datasheet or any extracts thereof may only be used in other publications with express permission of SCHOTT. © SCHOTT AG

Lighting and Imaging
SCHOTT AG
Hattenbergstrasse 10
55122 Mainz
Germany
Phone: +49 (0) 6131/66-7796
Fax: +49 (0) 6131/66-7850
info.microscopy@schott.com
www.schott.com/microscopy

SCHOTT
glass made of ideas