



# MegaLight Fiber Optic Light Guides

For MegaLight Light Sources

The SCHOTT MegaLight series includes three types of light guide: Flexible, Flex & Stay, and Ring Lights.

Flexible light guides are highly bendable, while Flex & Stay remain in place after positioning, making them perfect for space-constrained applications.

For absolute shadow-free illumination, Ring Lights are ideal.

## Advantages:

- High light transmission and temperature resistance thanks to the use of SCHOTT glass optical fibers.
- Perfect trade-off between flexibility and mechanical stability.
- Flex & Stay and Flexible light guides available with one or two branches.
- Different light guide lengths also available

## Features:

- Fiber bundle protected by robust sheathing.
- Flex & Stay and Flexible Light Guides are available with one or two branches and different bundle lengths.
- Focus lens for Flex & Stay and Flexible Light Guides.

## Flexible Light Guides

Description	Part No.	Length	End tip Ø	End tip length	Active Ø branch	Active common end Ø	Outer Ø Jacketing	Light source adaptor Ø
Single Branch	FGS6F1000	1 m	12 mm	20 mm	6 mm	6 mm	10 mm	15 mm
	FGS6F1500	1.5 m	12 mm	20 mm	6 mm	6 mm	10 mm	15 mm
	FGS6F2000	2 m	12 mm	20 mm	6 mm	6 mm	10 mm	15 mm
Dual Branch	FGB6F1000R	1 m	12 mm	20 mm	4.24 mm	6 mm	8 mm	15 mm
	FGB6F1500R	1.5 m	12 mm	20 mm	4.24 mm	6 mm	8 mm	15 mm
	FGB6F2000R	2 m	12 mm	20 mm	4.24 mm	6 mm	8 mm	15 mm

## Flex and Stay Light Guides

Description	Part No.	Length	End tip Ø	End tip length	Active Ø branch	Active common end Ø	Outer Ø Jacketing	Light source adaptor Ø
Single Branch	FGS6S500	0.5m	12 mm	20 mm	6 mm	6 mm	12,5 mm	15 mm
Dual Branch	LFG6S500	0.5m	12 mm	20 mm	4.24 mm	6 mm	10.5 mm	15 mm

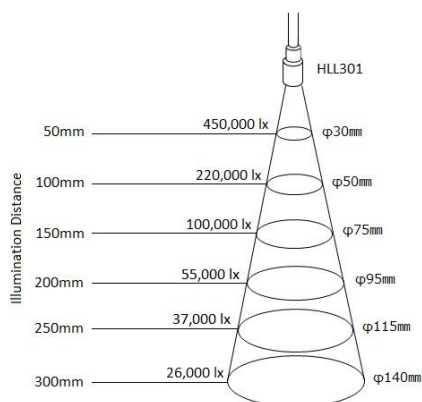
## Ring Lights

Description	Part No.	Length	Inner Ø	Outer Ø	Height	Active Ø branch	Outer Ø Jacketing	Light source adaptor Ø
Ring Lights	FGR6F1000D18RN	1m	18 mm	38 mm	26 mm	6 mm	10 mm	15 mm
	FGR6F1000D32RN	1m	32 mm	52 mm	26 mm	6 mm	10 mm	15 mm
	FGR8F1000D55RN	1m	55 mm	80 mm	26 mm	8 mm	13.8 mm	15 mm
	FGR8F1000D65RN	1m	65 mm	90 mm	26 mm	8 mm	13.8 mm	15 mm

## Accessories

Descriptions	Part No.	Characteristics				
Focus Lens	HLL301	Lighting distance	Lighting area	Brightness <sup>4</sup>	Dimension	Applicable Light Guide
		50~∞mm	Ø30~∞mm	450,000lx	Ø19xL39	FGS/ FGB/LFGB

<sup>4</sup> Typical value at 50mm distance from FGS6F1000 output with MegaLight LED.



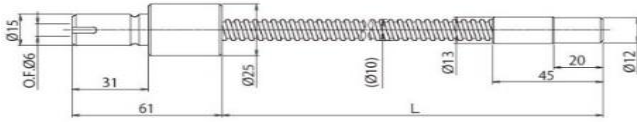
Reference data : Lighting area and brightness.



Focus Lens, HLL301

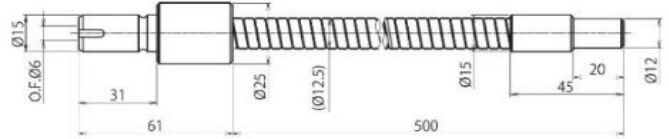
**SCHOTT**  
glass made of ideas

# Dimensions



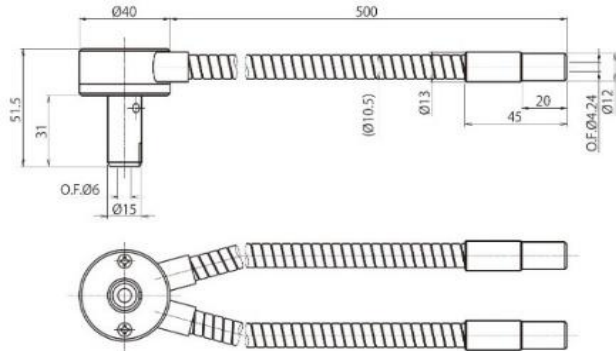
FGS6F1000 (1m)  
FGS6F1500 (1.5m)  
FGS5F2000 (2m)

Flexible



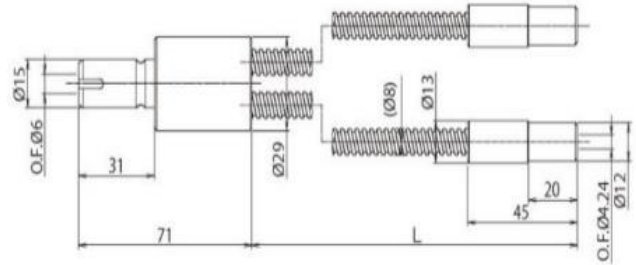
FGS6S500

Flex & Stay



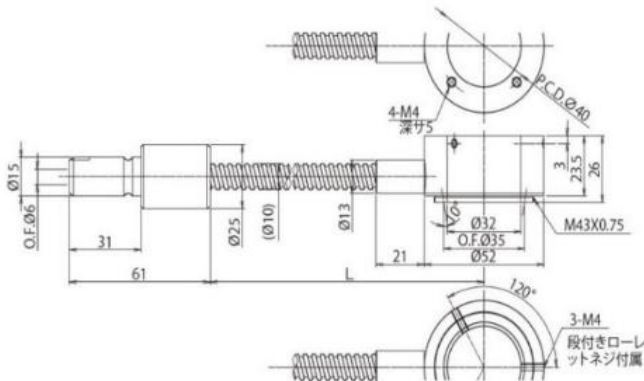
LFGB6S500

Flex & Stay

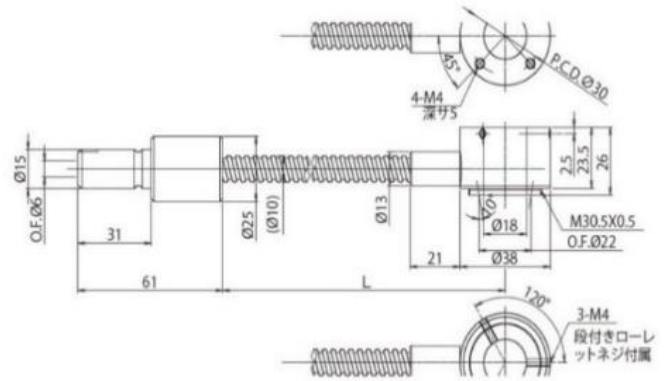


FGB6F1000R (1m)  
FGB6F1500R (1.5m)  
FGB6F2000R (2m)

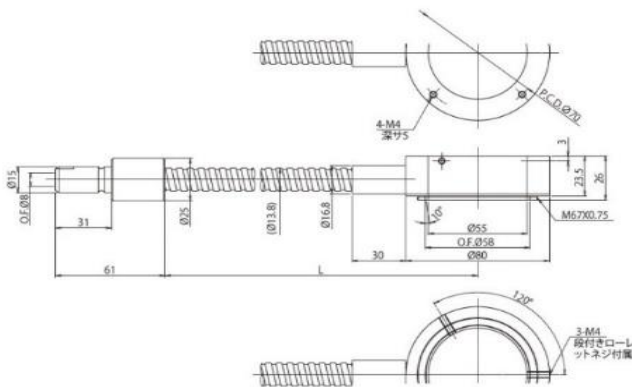
Flexible



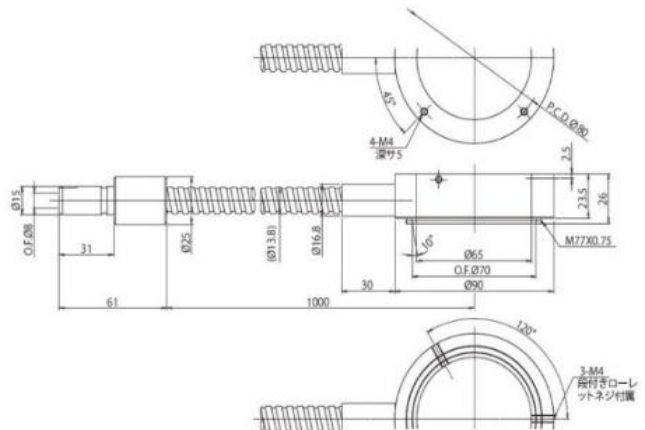
FGR8F1000D32RN (1m)



FGR6F1000D18RN (1m)



FGR6F1000D55RN (1m)



FGR8F1000D65RN (1m)

schott.com

SCHOTT AG, Hattenbergstrasse 10, 55122 Mainz, Germany  
Phone: +49 (0) 6131/66-0, lightingimaging@schott.com

**SCHOTT**  
glass made of ideas