

# SCHOTT® Heliolntense

Strong and efficient LED light source



## Product Characteristics

The SCHOTT® Heliolntense light source is an efficient and very strong LED light source that was developed specifically to combine SCHOTT's expertise in fiber optics with LED technology to provide customized and ultimate cabin lighting.

Compared to the SCHOTT® Heliolntense II, it can be controlled in different ways, what makes it suitable for any customer demand.

The SCHOTT® Heliolntense technology can either be used as LED light source or LED spot.

The technology is qualified for all major passenger aircraft.

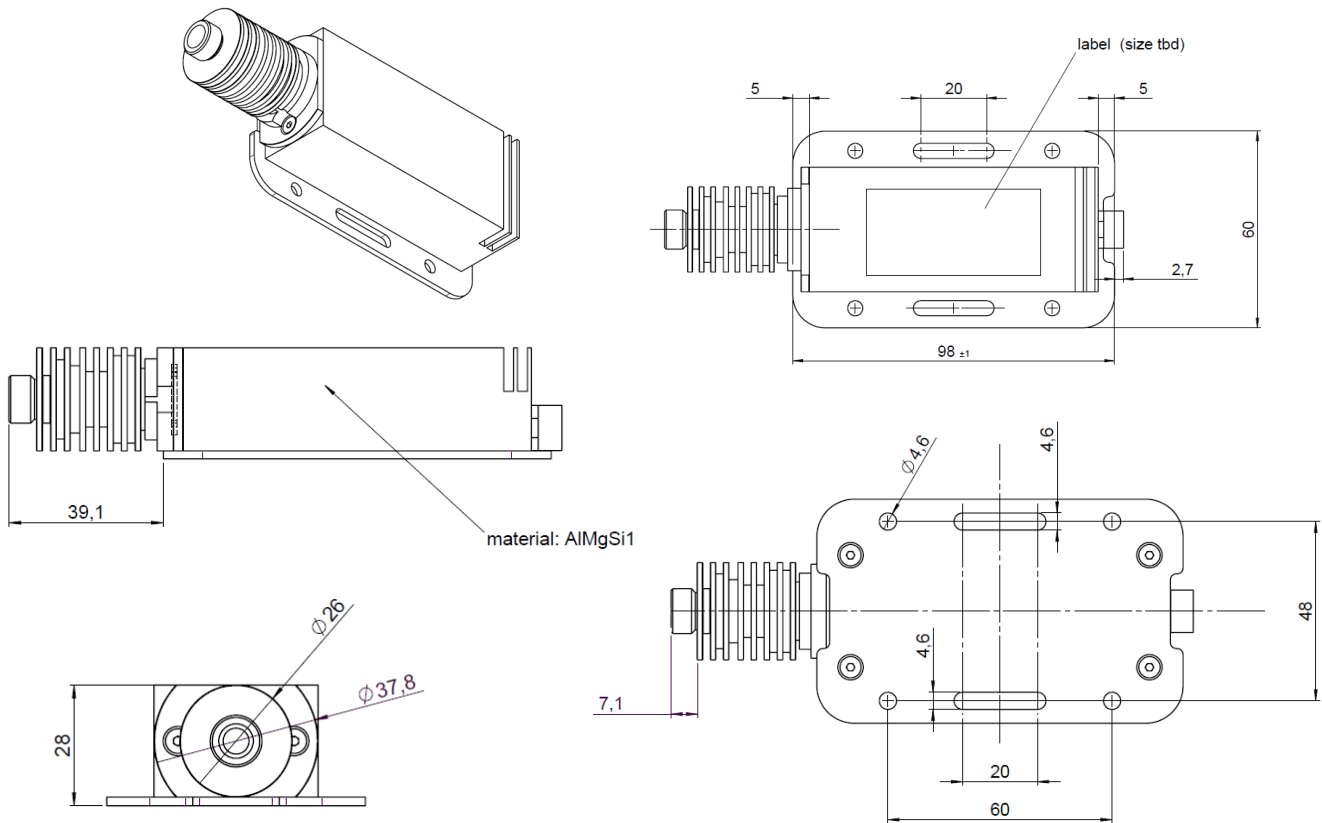


SCHOTT® Heliolntense

## Recommended Applications

- Various spots in seats or monuments realized with one light source and SCHOTT® Heliolntense
- Flat and slim shell mounted Reading Lights
- Functional cabin lighting realized as spot or line lights
- Homogeneous Moodlighting realized with SCHOTT® Heliolntense

Technical Specifications	
Power input	12 – 28 VDC, 28 VDC board voltage
Power consumption	max. 4.5 W
Control	<ul style="list-style-type: none"> <li>External switch</li> <li>RS485</li> <li>PWM</li> </ul>
Control features	On / Off / Dimming
Color	Standard: white (other single colors possible)
Address selection	Daisy chain concept
Max. weight	200 g
Available color temperatures	<ul style="list-style-type: none"> <li>2700 K (<math>\pm</math> 600 K)</li> <li>3000 K (<math>\pm</math> 600 K)</li> <li>4000 K (<math>\pm</math> 600 K)</li> <li>further and other colors on demand</li> </ul>



All specifications are subject to change without prior notice.  
This datasheet or any extracts thereof may only be used in other  
publications with express permission of SCHOTT.  
© SCHOTT North America, Inc.

Lighting and Imaging  
**SCHOTT North America, Inc.**  
122 Charlton Street  
Southbridge, MA 01550  
USA  
Phone: +1 (508) 765-9744  
Fax: +1 (508) 765-1299  
lightingimaging@us.schott.com  
www.us.schott.com/lightingimaging

