

# ColdVision Flexible Bundles

for ColdVision light sources



As the name suggests, SCHOTT ColdVision Flexible Bundles are highly bendable and generally used to highlight structures through shadows. In contrast to gooseneck light guides, they offer a higher flexibility and need to be held.

### Features:

- Variety of standard sizes with tight bending radius for easy routing.
- Available with 1, 2, or 4 branches.
- Available as randomized versions to improve spot uniformity.
- Focusing optics, filters and mechanical accessories available.

### Advantages:

- High flexibility for different light requirements, as well as remote illumination.
- Randomized bundles with multiple outputs can be calibrated to deliver a matching output within ~5 % bundle-to-bundle.

## Bundles

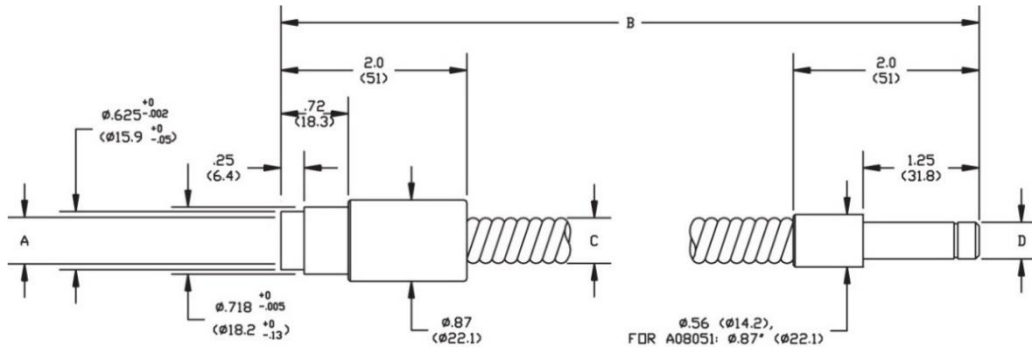
Description	Part No.	Active Input Fiber Diameter (A)	Bundle length (B)	Tubing Diameter (C)	Distal Ferrule Diameter (D)	Bend Radius	
Single Bundle	A08020.40	.20" (5mm)	40" (1016mm)	.39" (10mm)	.393" (10mm)	.5" (13mm)	
	A08020.60*		60" (1524mm)				
	A08025.40	.25" (6mm)	40" (1016mm)	.47" (12mm)		.625" (16mm)	.6" (15mm)
	A08025.60*		60" (1524mm)				
	A08031.40	40" (1016mm)					
	A08031.60*	.30" (8mm)	60" (1524mm)	.75" (19mm)		.507" (13mm)	1.4" (36mm)
	A08031.80*		80" (2032mm)				
	A08051.40	.51" (13mm)	40" (1016mm)	.69" (18mm)		.25" (6.4mm)	.6" (15mm)
	A08051.60*		60" (1524mm)				
	A21200*	.40" (10mm)	30" (762mm)	.47" (12mm)		.30" (7.6mm)	1.0" (25mm)
Quad Bundle	A08545*	.50" (13mm)	40" (1016mm)	.40" (10mm)	.47" (12mm)	.393" (10mm)	
Dual Bundle	A08530*	.30" (8mm)	40" (1016mm)	.47" (12mm)	.25" (6.4mm)	.5" (13mm)	
	A08540*	.36" (9mm)					
	A08550*	.43" (11mm)	72" (1829mm)	.393" (10mm)	.6" (15mm)		
	A08550.72*						
Single Bundle Randomized	A08031.40R*	.30"(8mm)	40" (1016mm)	.47" (12mm)	.393" (10mm)	.6" (15mm)	
	A08031.60R*		60" (1524mm)				
	A08031.80R*		80" (2032mm)				
Randomized & Calibrated Bundle	A21040*	.36" (9mm)	48"(1219mm)	.60" (15mm)	.393" (10mm)	1.0" (25mm)	
	A21045*	.51" (13mm)		.83"(21mm)		.6" (15mm)	
	A21050*	.43" (11mm)		.67"(17mm)		1.2" (30mm)	

\* Made-to-order products

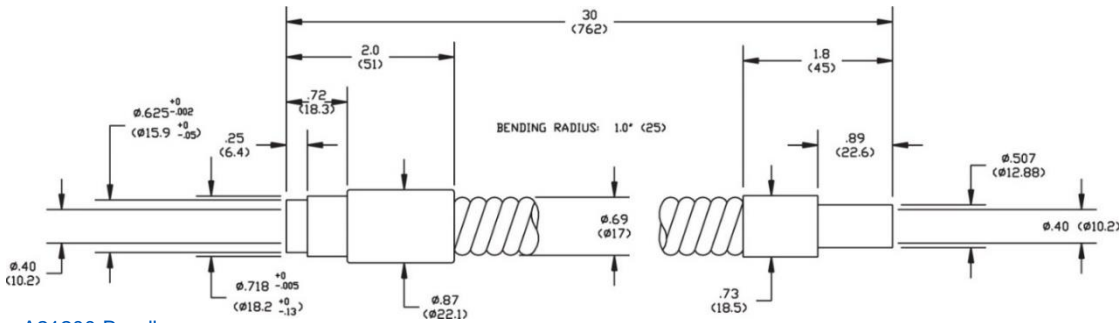
Custom configurations available. Compatible accessories available. See ColdVision-Accessories data sheet.



Single Bundle: Dimensions

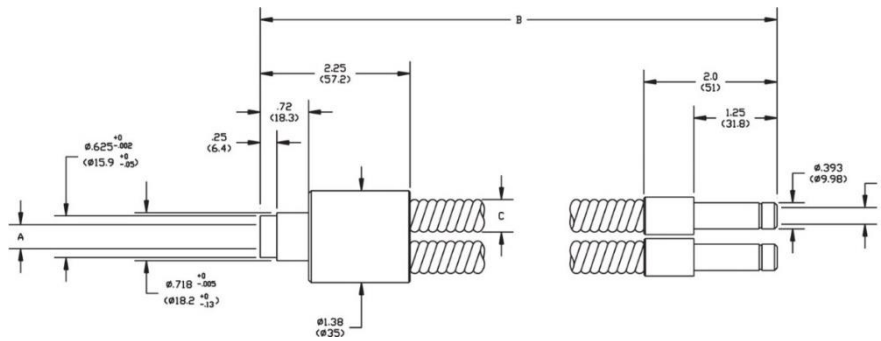


A08020.40 – A08051.60

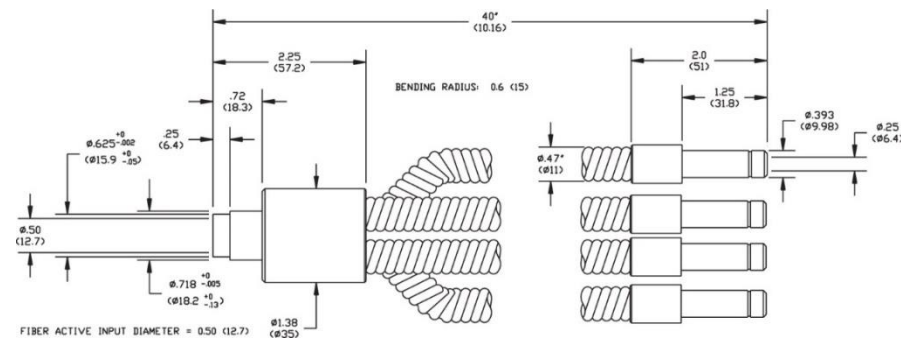


A21200 Bundle

Quad and Dual Bundle: Dimensions



Dual Bundle, A08530 – A08550.72



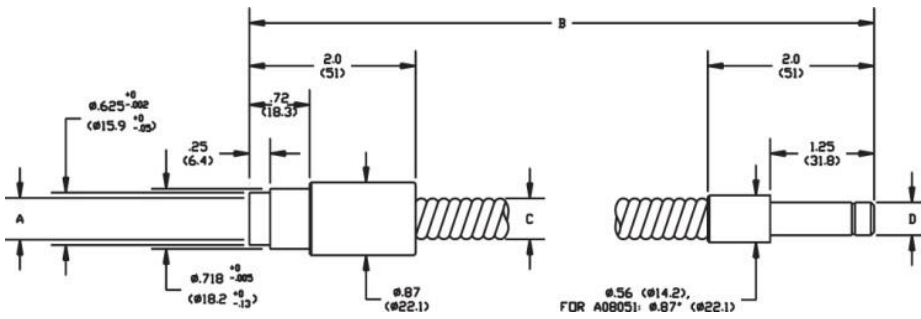
Quad Bundle, A08545

**Warning :** This product is manufactured with glass fiber. Not for use in cable/hose carrier. Call SCHOTT to discuss moving cable/hose carrier applications.

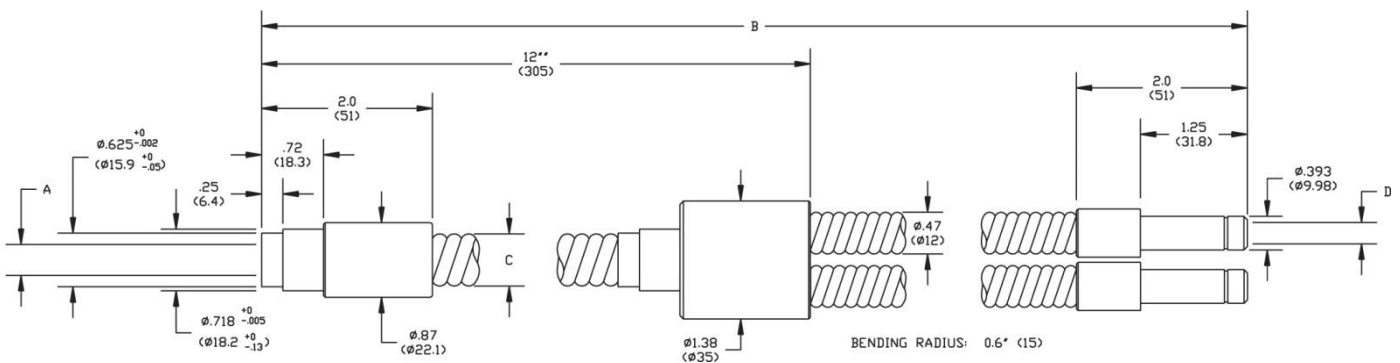


Randomized and Calibrated Bundle: Dimensions

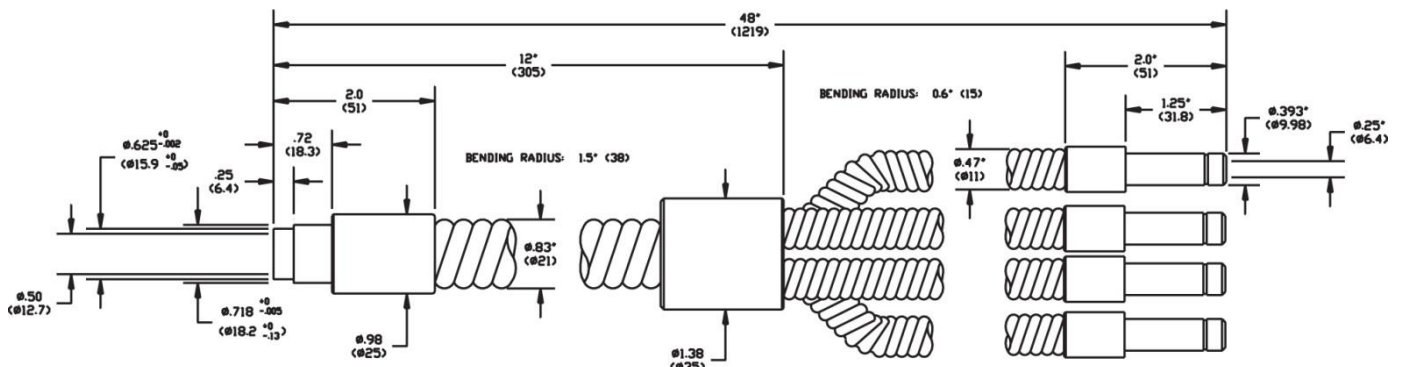
Dimensions in ( ) are in mm



Single Randomized Bundle, A08031.40R - A A08031.80R



Dual Randomized & Calibrated Bundle, A21040 - A21050



Quad Randomized & Calibrated Bundle, A21045

**Warning :** This product is manufactured with glass fiber. Not for use in cable/hose carrier. Call SCHOTT to discuss moving cable/hose carrier applications.

All specifications are subject to change without prior notice. This datasheet or any extracts thereof may only be used in other publications with express permission of SCHOTT. © SCHOTT AG

Lighting and Imaging  
**SCHOTT AG**  
 Hattenbergstrasse 10  
 55122 Mainz  
 Germany  
 Phone: +49 (0) 6131/66-7796  
 Fax: +49 (0) 6131/66-7850  
 lightingimaging@schott.com  
 www.schott.com/coldvision

