

ColdVision Line Lights

for ColdVision light sources



Suitable for narrow and elongated illumination in microscopy and machine vision inspection, SCHOTT ColdVision Line Lights offer high uniformity thanks to randomization. With a range of accessories and customized options, we can develop a bespoke line light solution for your application.

Features:

- Line Lights offers intense calibrated homogeneous illumination.
- Available as randomized line light for maximized uniformity and redundancy.
- Different slit slices available.
- Rugged aluminum body and light source ferrule with black anodized finish.
- PVC covered metal tubing protects the fiber bundle.
- Perfect illumination for line scan cameras.

Advantages:

- Our line light accessory range includes cylindrical, apertured lenses and mechanical holders.
- Accurately positioned fiber line within the body on all three planes assures that the fiber axis will be parallel with the mounting surface of the body.
- Custom lengths, bundle exits, multiple combinations (dual, quad, etc.) and line widths can be designed for your unique requirements.
- The 1", 2", & 3" size of line light offer a narrow, elongated body design.

Part No.	Line Dimension Length (A) x Width (B)	Input Active Fiber Diameter	Gray Scale Uniformity ¹	Part No. for Lens	Overall Length
				Cylindrical	
A08589*	2" x .035" (51mm x .89mm)	.30" (7.6mm)	< ± 8	*A08572	38.5"(978mm)
A08579*	1" x .070" (25mm x 1.8mm)	.43" (11mm)		*A08571	38"(965.2mm)
A08583*	2" x .035" (51mm x .89mm)	.43" (11mm)		*A08572	38.5"(978mm)
A08904*	4" x .036" (102mm x .91mm)	.43" (11mm)	± 8	*A08824	30" (762mm)
A08906*	6" x .033" (152mm x .84mm)	.51" (13mm)		*A08826	
A08908*	8" x .025" (203mm x .64mm)			*A08828	
A08910*	10" x .020" (254mm x .51mm)			*A08830	
A08912*	12" x .016" (305mm x .41mm)			*A08832	
A08914*	14" x .014" (356mm x .36mm)			*A08834	
A08916*	16" x .012" (406mm x .30mm)	*A08836			
A08975*	6" x .022" (152mm x .56mm)	.58" (16mm)	± 8	*A08826	

* Made-to-order products

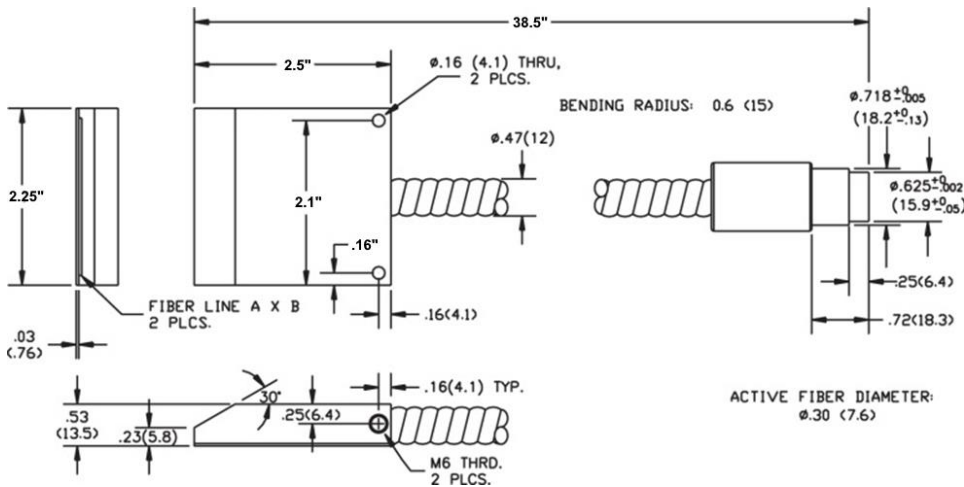
¹ Gamma setting of 1.0. Dimensions in () are in mm

Custom configurations available. Compatible accessories available. See ColdVision-Accessories data sheet.

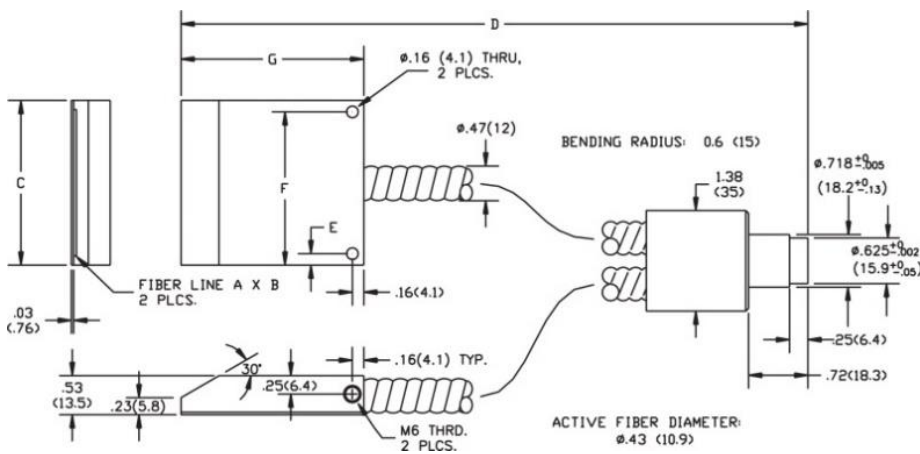


Line Light: Dimensions

Dimensions in () are in mm

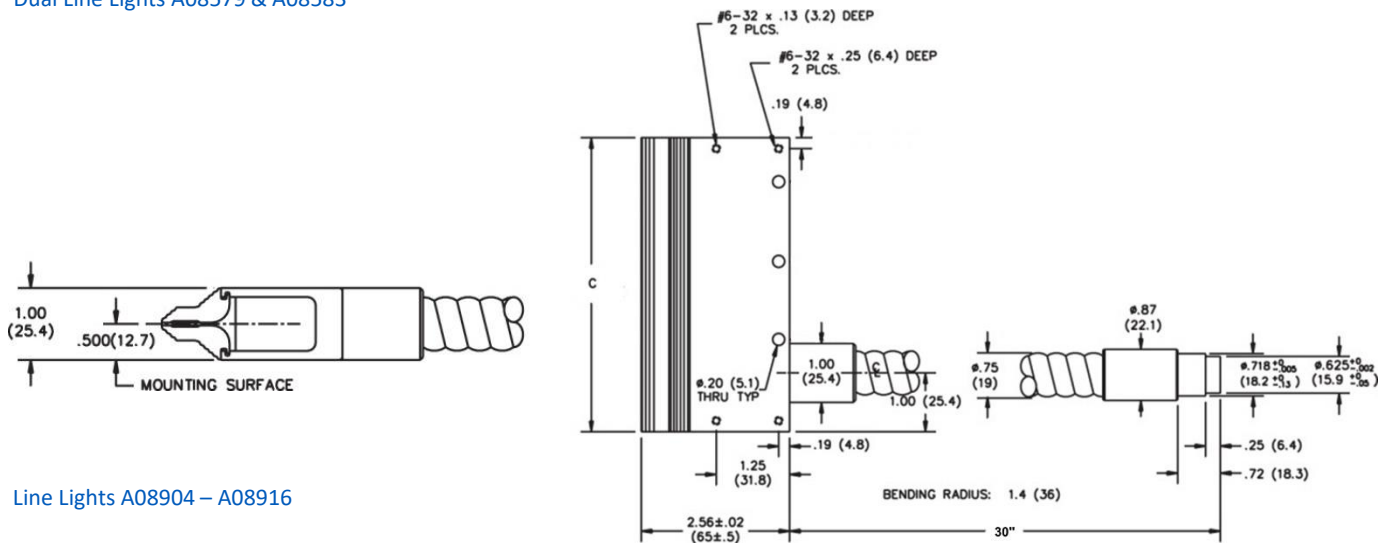


Single Line Light A08589



	A08579	A08583
C	1.25"	2.25"
D	38"	38.5"
E	0.16"	0.16"
F	1.1"	2.1"
G	2"	2.5"

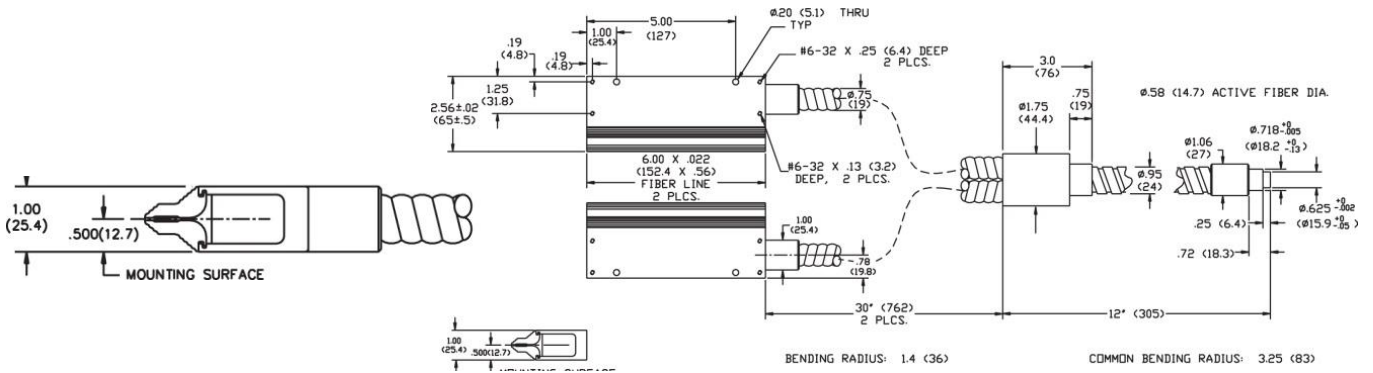
Dual Line Lights A08579 & A08583



Line Lights A08904 – A08916

Warning : This product is manufactured with glass fiber. Not for use in cable/hose carrier. Call SCHOTT to discuss moving cable/hose carrier applications.

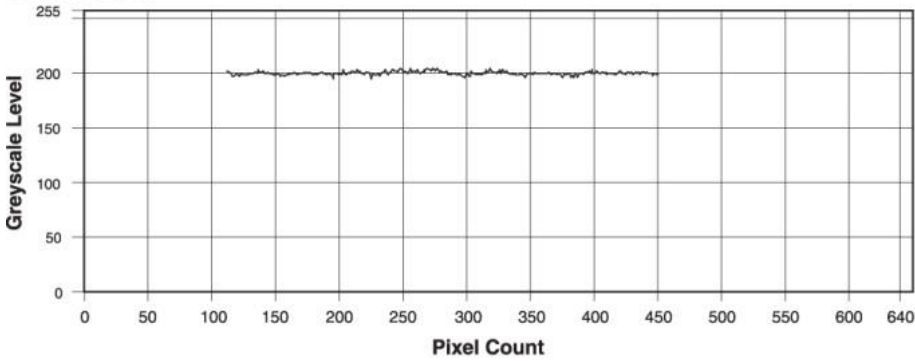




Dual Line Light A08975

Example of Line Scan Results

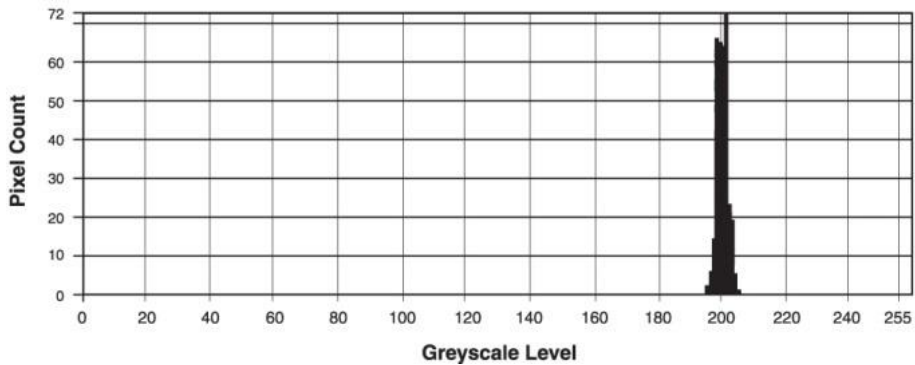
LINE PROFILE



GLOBAL REPORT

Mean Value	Maximal Value	Minimal Value	Standard Variation	Area (pixels)	%
199.78	205.00	195.00	1.74	337	1.40

HISTOGRAM



Version 01.2016

Warning : This product is manufactured with glass fiber. Not for use in cable/hose carrier. Call SCHOTT to discuss moving cable/hose carrier applications.

Version 08.2020

