

SCHOTT® Heliolntense Spectrum^{CC}

Fully brightness and color stabilized LED light source, providing high light output



Product Characteristics

The SCHOTT® Heliolntense Spectrum^{CC} light source is an efficient and very strong LED light source that was developed specifically to combine SCHOTT's expertise in fiber optics with LED technology to provide customized and ultimate cabin lighting.

Compared to the SCHOTT® Heliolntense single color, it features full color capability and color as well as brightness control with a true color sensor. This guarantees stability of color and brightness in between

all cabin applications and over the whole lifetime of the light source.

As the name Spectrum^{CC} indicates this light source has features in common with our Heliolntense Spectrum^{CC}. It works with a unique true-color sensor. Over the entire lifetime, all light sources are reliably pegged to exactly the same light performance in order to facilitate our promise: Different lights – one look.



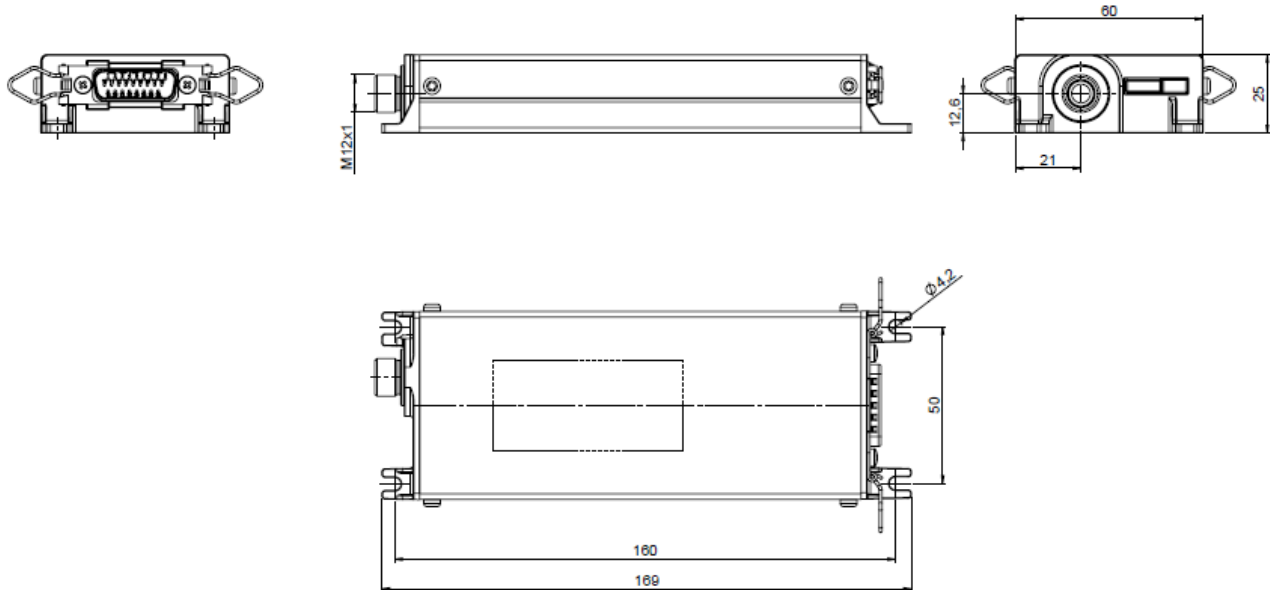
Strong and efficient LED light source providing full range of stable colors

Recommended Applications

- Edge or contour lighting in seats or monuments realized with one light source and SCHOTT® Heliolntense
- Functional cabin lighting realized as spot or line lights with SCHOTT® Heliolntense, HeliolntenseFlex and HeliolntenseRod
- Homogeneous mood lighting realized with SCHOTT® Heliolntense, HeliolntenseFlex or HeliolntenseRod

SCHOTT
glass made of ideas

Technical Specifications	
Power input	12-28 VDC (power supply)
Power consumption	max. 10 W (depending on color setting)
Control	RS-485, SCHOTT standard protocol Customization on request
Control features	On / Off / Dimming (0,5...100%) / Color change
Connector	HD SUB-D
Color	RGBW, color gamut: R: 0.675/0.305 G: 0.200/0.650 B: 0.165/0.045 Colour consistency < 3 SDCM
Address selection	Daisy chain concept
Weight	180 g
Luminous flux (white light, 4000K)	max. 60 lm (without lightguide)
Qualification	DO-160 G



All specifications are subject to change without prior notice.
This datasheet of any extracts thereof may only be used in other
publications with express permission of SCHOTT.
© SCHOTT North America, Inc.

Lighting and Imaging
SCHOTT North America, Inc.
122 Charlton Street
Southbridge, MA 01550
USA
Phone: +1 (508) 765-9744
Fax: +1 (508) 765-1299
lightingimaging@us.schott.com
www.us.schott.com/lightingimaging

SCHOTT
glass made of ideas